

Response Unit Plus

Compact, versatile & economical for your emergency response needs.

10
YEAR
LIMITED
WARRANTY



NO COMPROMISE

At Work Trucks Plus, our engineers set out to create a rescue unit that was **good for the environment** without giving up **durability, quality and design integrity**. And we did it. We call it... Response Unit Plus

- 5052-H32 grade aluminum body
- 45% lighter than steel
- Increased fuel efficiency
- Corrosion resistant
- Modular design - reduces replacement cost after an accident
- Customized for emergency requirements
- Meets all CMVSS standards & Transport Canada regulations.
- Available through local dealerships.

ENVIRONMENTALLY FRIENDLY

Not only is the Response Unit Plus constructed with lighter, recyclable aluminum, the manufacturing process also reduces the impact on the environment. Work Trucks Plus' powder coat process reduces VOC's compared to wet paint applications and our precision three-step bonding process significantly minimizes the environmental impact of welding.

worktrucks
BY G.W. ANGLIN EST. 1967 *plus*

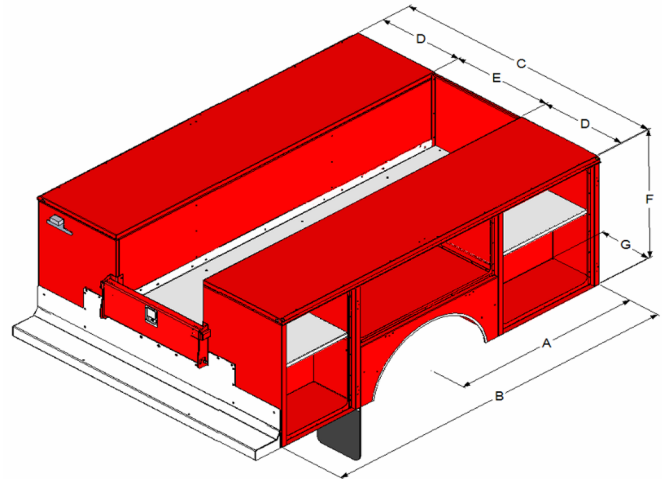
WORK TRUCKS PLUS - RESPONSE UNIT PLUS

Standard Features

	Rugged, corrosion-resistant 5052-H32 grade aluminum body. Remarkably, the 56 CA model weighs less than 725 lbs. (40 CA also available)
	OEM Slam Tailgate - Double panel tailgate opens 90° to facilitate loading. Folds down 180° for easy entry.
	Stainless Steel Two-Stage Rotary Latches - Rust-resistant, premium lock provides enhanced security over spring-bolt latches.
	Stainless Steel Strap Hinges - Durable hinges mounted with stainless steel hardware offers advanced corrosion protection.
	Double Skinned Reinforced Doors - Sturdy, flush mounted doors are reinforced at hinges, latches and welded at corners for additional stability.
	Neoprene Bulb Seal & Full Length Drip Rail - These features minimize moisture content inside of cabinets.
	LED Lighting - Longer-lasting, brighter and energy efficient lights provide enhanced safety.
	Powder Coat Finish - Environmentally friendly, durable finish.
	Fully - Integrated Bumper - Added strength, accessibility and safety features.

Part #	Description	A	B	C	D	E	F	G	Cabinet Volume in CU. FT.	Base Weight in LBS.
SB40SRW-RU	RESPONSE UNIT - 40"CA SINGLE REAR WHEEL	38.00	81.00	78.00	24.25	29.50	42.00	13.25	60	709
SBS6SRW-RU	RESPONSE UNIT - 56"CA SINGLE REAR WHEEL	54.00	97.00	78.00	24.25	29.50	42.00	13.25	73	758
SB60SRW-RU	RESPONSE UNIT - 60"CA SINGLE REAR WHEEL	58.00	108.00	82.50	26.50	29.50	42.00	15.50	86	775
SB40DRW-RU	RESPONSE UNIT - 40"CA DUAL REAR WHEEL	38.00	81.00	91.50	26.50	38.50	42.00	15.50	68	724
SBS6DRW-RU	RESPONSE UNIT - 56"CA DUAL REAR WHEEL	54.00	97.00	91.50	26.50	38.50	42.00	15.50	83	784
SB60DRW-RU	RESPONSE UNIT - 60"CA DUAL REAR WHEEL	58.00	108.00	91.50	26.50	38.50	42.00	15.50	86	804

Note: 84"CA SRW/DRW and larger are available upon request. **MEASUREMENTS IN INCHES**



Optional Features

Tailor for any job

- Bumpers
- Door Stops
- Junction Box
- Recessed Floor Tie Downs
- Compartment Shelving
- Grab Handles
- Lighting
- Spare Tire Rack
- Cabinets
- Holders
- Pull-Out Drawers and
- Plus many more options available!
- Decals
- Hook Packages
- Trays
- Hook Packages

Sold and Serviced locally by:

worktrucks
plus
BY G.W. ANGLIN EST. 1967

220 Patillo Road, Tecumseh ON N8N 2L9
3636 Erindale Station Road, Mississauga, ON L5C 2T1
1-800-219-8223 - worktrucksplus.com

